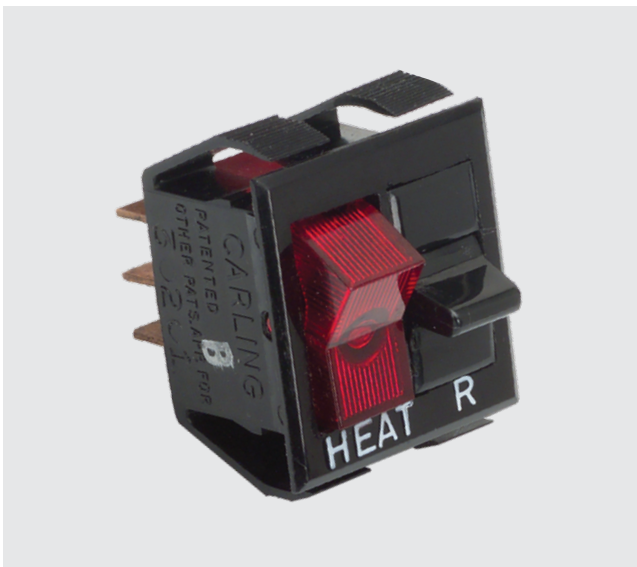


TTG-Series

ROCKER SWITCHES

The TTG-Series Mid-Sized Tippette snap-in rocker switches consist of two single pole illuminated or non-illuminated switches in a common base. Each pole can have the same or different switch function. These switches are AC rated up to 20 amps and are also suitable for low-voltage DC applications, in a wide range of markets.



Product Highlights:

- Independent or Dependent Illumination
- Ratings up to 20 Amps
- Diamond or Long Line Lens Options
- Self-Cleaning Wiping Style Contacts

Typical Applications:

- Appliance
- HVAC
- Food Service
- Transportation



Dielectric Strength

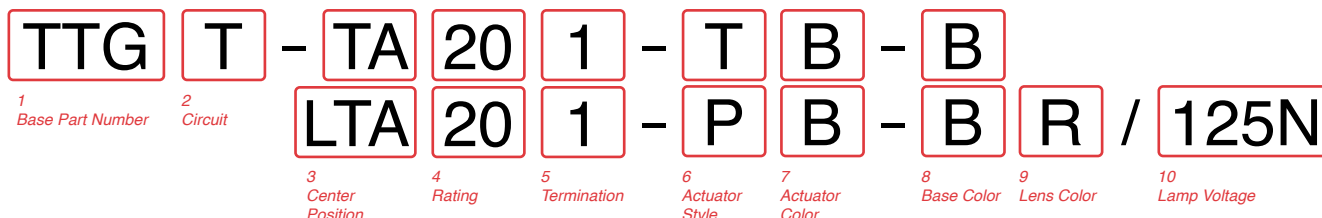
UL/CSA:
1000V - live to dead metal parts

Electrical Life

50,000 cycles - maintained
25,000 cycles - momentary

Operating Temperature

32°F to 185°F (0°C to 85°C)



1 BASE PART NUMBER: SERIES
TTG Two Single Pole switches in one base

2 CIRCUIT 1
See Circuit Designation Chart

3 BASIC SWITCH NUMBER
TA On-None-Off **TC** On-Off-On
TB On-None-On **LTA** On-None-Off, Lighted

4 RATING
10 5A 250VAC, 10A 125VAC, 1/2HP 125-250VAC
11 5A 250VAC, 10A 125VAC, 5A 125VAC L
20 10A 250VAC, 15A 125VAC, 3/4HP 125-250VAC
21 10A 250VAC, 15A 125VAC
22 10A 250VAC, 15A 125VAC, 20A 125-250VAC H, 3/4HP 125-250VAC

5 TERMINATION / FUNCTION

	Solder Lug	.250 Tab QC	.187 Tab QC	Wire Leads
On-None-Off	0	1	3	5
(On)-None-Off	A	B	D	F
On-None-(Off)	L	M	R	T
On-None-On	0	1	3	5
On-None-(On)	A	B	D	F
On-Off-On	0	1	3	5

6 ACTUATOR STYLE
P Paddle **PS** Short Paddle
T Rocker

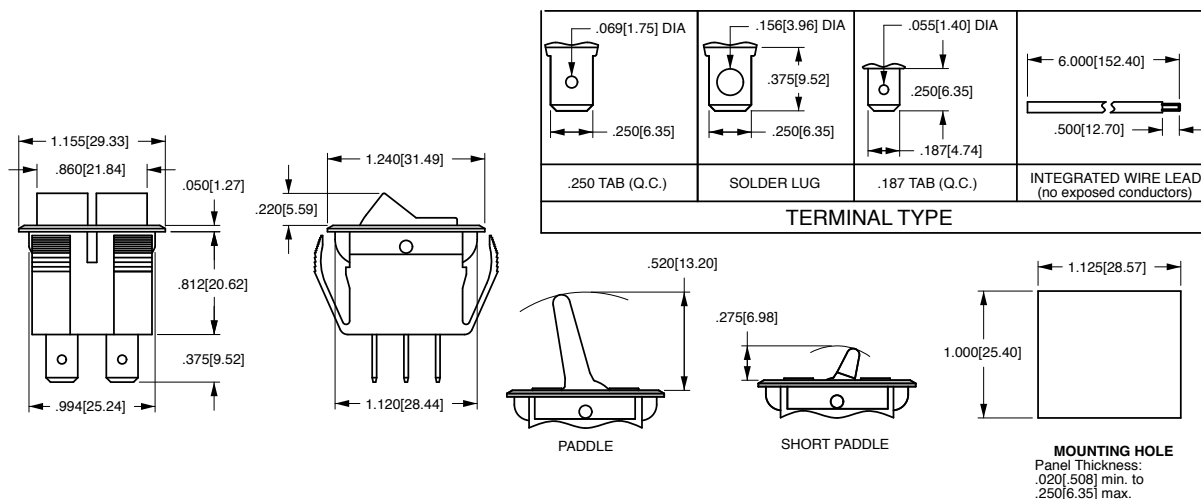
7 ACTUATOR COLOR
unlighted²
B Black **lighted**³
W White **A** Amber
G Green **C** Clear
LU Blue **LU** Blue
R Red **R** Red

8 BASE COLOR 2
B Black **W** White

9 LENS COLOR 4
A Amber **G** Green **R** Red
C Clear **LU** Blue **W** White

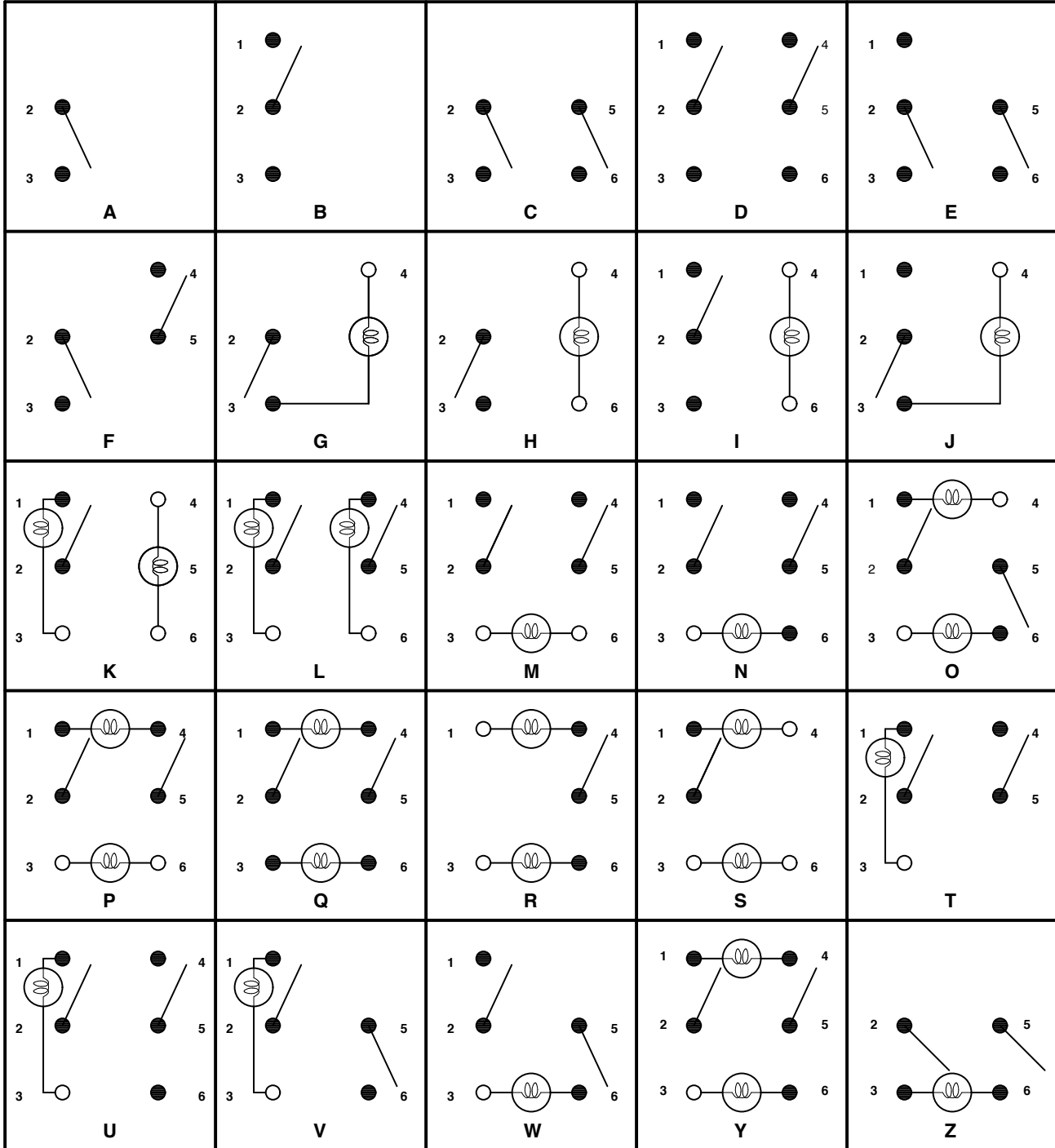
10 LAMP VOLTAGE
incandescent
6V 6 volt **neon**
12V 12 volt **125N** 125 volt neon
18V 18 volt **250N** 250 volt neon
24V 24 volt
28V 28 volt

Notes:
Imprinting is available. Consult factory.
Panel Cut-Out Recommendations: For sheet metal panels, switch must enter panel in same direction as the punch. (Burr on bottom.) Test cut hole in actual material.
1 TG available with circuits A, B, C, D, E, F, L, T, U
G, H, I, J, M, N, P, Q, R, T, U, V, Y, Z.
2 Custom colors are available. Consult factory.
3 Specify lens color for LTA with rocker only.
4 Specify lens color for LTA with paddle actuators only.
(.) Indicates momentary function.



*Manufacturer reserves the right to change product specification without prior notice.

Circuit Designation Chart:



● CONTACT TERMINAL
Will make contact with switching lever

○ ISOLATED TERMINAL
Does not make contact with switching lever

● CONTACT TERMINAL AND SWITCH LEVER

○ BULB